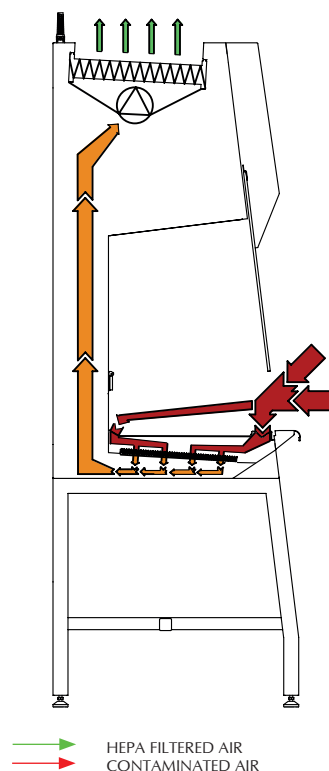


BiOptima ONE, Biological Safety Cabinet Class I



Telstar BiOptima ONE is a range of high quality Class I Biological Safety Cabinet, ensuring the highest level of protection for operator and environment.

Basic principle

The principle of BiOptima ONE is total extraction of the air through a HEPA filter. Ambient air is drawn from the front opening and extracted through the H14 HEPA filter, to ensure no harmful particles are released into the environment.

Applications

BiOptima One is designed for microbiological research with biological BSL 1 and 2 agents. Centrifuges, harvesting equipment and other equipment dedicated to procedures with the potential to generate aerosols can be easily placed inside the cabinet.

Available sizes

BiOptima One is standard available in 3,4 ft (90 and 120 cm approx.) width

TECHNICAL SPECIFICATIONS	units	BiOptima ONE 3	BiOptima ONE 4
External dimensions (WxDxH)	mm	1033x797x1450	1338x797x1450
Internal dimensions (WxDxH)	mm	885x548x666	1190x548x666
Shipping dimensions (WxDxH)	mm	1165x870x1770	1430x870x1770
Weight	Kg	180	210
Shipping weight	Kg	213	245
Front entry air speed	m/ser	0.9	0.9
Extraction flow rate	m ² /h	572	769
Power	W	150	190
Voltage (others available upon request)	V	230	230
Frecuency (other available upon request)	Hz	50/60	50/60
Lighting	LUX	≥ 850	≥ 1000
Sound Vibration	dBA	<55	<58
Filters	Prefilter	G3	G3
	HEPA Filter	H14	H14